



# important

Please Read & Keep Safe - Guarantee Advice

Enter date of purchase

Our steel gates carry a 10-year guarantee when the instructions in this Assembly & Care leaflet are followed.

Our guarantee covers the cost of replacing the defective product; it does not cover consequential expenses incurred as a result of replacing the product such as fitting and finishing costs. We will not accept responsibility for any damage caused by incorrect assembly of fittings, incorrect hanging or lack of treatment to gates.

We will not reimburse the cost of repairs undertaken to gates without our prior consent, and such repairs would also invalidate your guarantee. Your statutory rights remain unaffected.



# Steel GATES Assembly

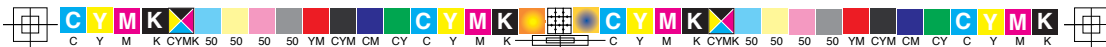
With help from Walter...



Please check your gates immediately on receipt, to ensure that they are to your specification/satisfaction. If your gates have a primed finish, once checked, you should treat them before attaching any fittings/exposing to the elements. Powder coated gates do not require treating.



CANNOCK GATES TECHNICAL SERVICES & CUSTOMER SUPPORT CONTACT 01543 462500



# 1

## Gates with a primed finish must be treated immediately

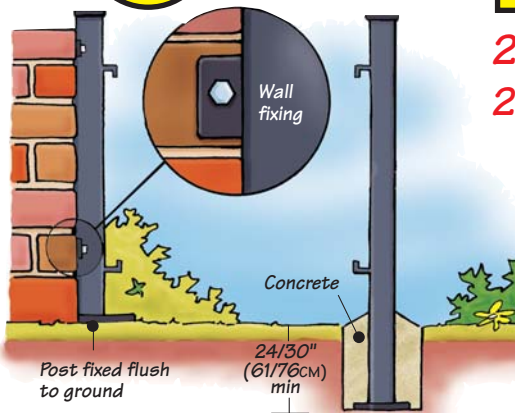


**1a** • GATES MUST BE TREATED AS SOON AS THEY ARE RECEIVED AND BEFORE ANY FITTINGS ARE ATTACHED. A MINIMUM OF 2 COATS OF GOOD QUALITY EXTERIOR PAINT IS RECOMMENDED. CAREFULLY FOLLOW THE MANUFACTURER'S INSTRUCTIONS. ANY UNTREATED METAL IS LIKELY TO RUST.

**1b** • ALL WROUGHT IRON STYLE GATES ARE MANUFACTURED TO FIT AN OPENING WITH A GAP BOTH SIDES TO ALLOW FOR HINGE AND LATCH FITTINGS. E.G. A GATE TO FIT A 3' (92cm) OPENING MEASURES ONLY 32" (81cm) WITH A HINGE TAKING APPROX 2" (5cm) ONE SIDE AND A LATCH TAKING APPROX 2" (5cm) THE OTHER SIDE (HINGES ARE ADJUSTABLE).

# 2

## Posts fixing



**2a** • POSTS MUST BE TREATED AS 1a ABOVE.

**2b** • POSTS COME SUPPLIED WITH FITTINGS ALREADY WELDED IN POSITION. WE RECOMMEND YOU USE RAWL BOLTS (NOT SUPPLIED) FOR SECURING TO WALL.

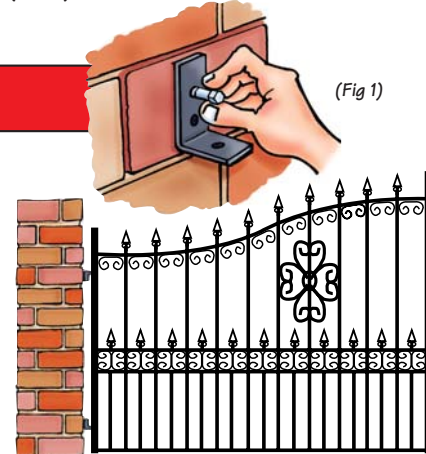
- THE HOLE REQUIRED FOR POSTS (IN-GROUND FIXING) MUST BE AT LEAST 24" (61cm) DEEP.
- FOR HEAVY DUTY GATES (I.E. 'ROYAL' GATES) WE RECOMMEND THE USE OF 6" (15cm) SQUARE POSTS.

# 3

## Wall fixing

**3a** • ALL GATES ARE SUPPLIED WITH THE APPROPRIATE FITTINGS. WE RECOMMEND YOU USE RAWL BOLTS (NOT SUPPLIED) TO SECURE DIRECTLY TO WALL (SEE FIG 1).

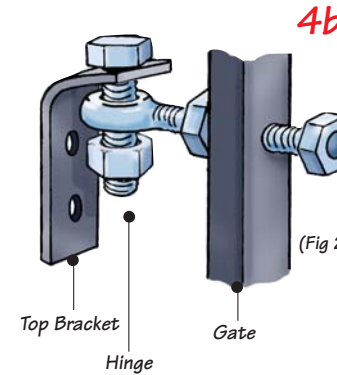
- FOR HEAVY DUTY GATES (I.E. 'ROYAL' GATES) WE RECOMMEND THE PILLARS ARE A MINIMUM OF 24" (61cm) SQUARE.



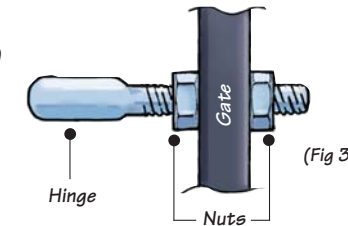
# 4

## How to hang your gates

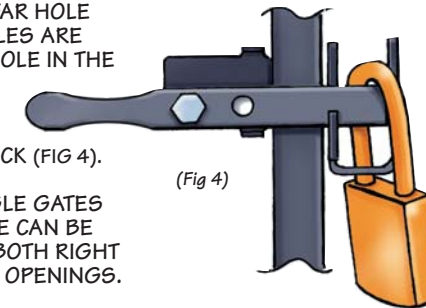
**4a** • THE TOP HINGE BRACKET SHOULD BE INVERTED TO PREVENT GATE BEING REMOVED (FIG. 2).



**4b** • TO HANG YOUR GATES, ENSURE THAT THE ADJUSTABLE HINGES HAVE ONE NUT EACH SIDE OF THE FRAME TO ALLOW FOR LEVELLING, WIDTH AND STABILITY (FIG. 3).



**4c** • THE LATCH PLATE IS BOLTED THROUGH THE FAR HOLE WHERE TWO HOLES ARE PRESENT. THE HOLE IN THE RECEIVER PLATE IS DESIGNED TO TAKE A LONG SHACKLE PADLOCK (FIG 4).



**4d** • FOR SOME SINGLE GATES THE LATCH PLATE CAN BE FITTED TO SUIT BOTH RIGHT AND LEFT HAND OPENINGS.

ALL WROUGHT IRON STYLE GATES ARE MANUFACTURED TO FIT AN OPENING WITH A GAP ON BOTH SIDES TO ALLOW FOR HINGE AND LATCH FITTING. THE GARDEN OR SIDE GATE FITTINGS WILL TAKE APPROX 4" (10cm) AND THE DRIVE AND ESTATE GATES APPROX 7" (18cm) (INCLUDING 1" (2.5cm) BETWEEN GATES).

THE HEIGHT SPECIFIED IS THE ACTUAL HEIGHT WHEN HUNG ALLOWING FOR A 2" (5cm) GAP UNDERNEATH THE GATE. E.G. 3' HIGH (92cm) IS ACTUALLY 2' 10" (86cm).



# 5

## Railings

**5a** • RAILINGS WITH A PRIMED FINISH MUST BE TREATED AS SOON AS THEY ARE RECEIVED, WITH 2 COATS OF A GOOD QUALITY EXTERIOR PAINT.

- FOLLOW THE MANUFACTURER'S INSTRUCTIONS ON THE TIN.
- RAILINGS ARE SUPPLIED WITH ADJUSTABLE SIDE FEET, WHICH ADJUST BY 1" (2.5cm). WE RECOMMEND RAWL BOLTS (NOT SUPPLIED) TO SECURE DIRECTLY TO A WALL. (FIG 5).

